

MULTISTACK[®]

Originators. Innovators. Never the Imitators.SM



Remote Air-Cooled Condenser

Catalog



ASRC-10

Matching Chiller Model # _____ ASR20X4
 Compressor Horsepower _____ 10
 Number of Modules _____ 1/2

TOTAL HEAT OF REJECTION (MBH)

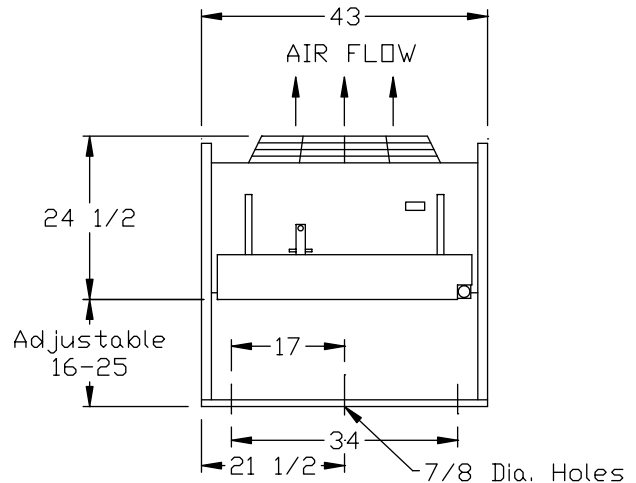
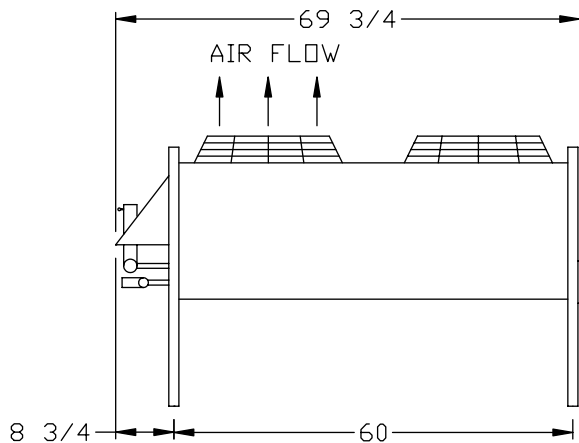
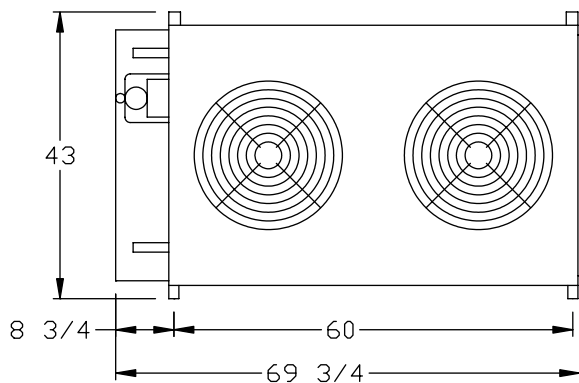
@ 30 DEG TD (ARI Conditions) _____ 146
 @ 25 DEG TD (ARI Conditions) _____ 121.5
 @ 20 DEG TD (ARI Conditions) _____ 97.5
 Number of Circuits _____ 1
 Number of Fans _____ 2
 Fan Dia (In.) _____ 24
 Fan Speed (rpm) _____ 1140
 Total Air Flow (cfm) _____ 10100
 Unit Sound Data (dBA @ 10ft. _____ 63.2
 Motor Size (hp) _____ 1/3
 Motor Electrical (phase) _____ 3
 FLA (208V) per fan _____ 2.6
 FLA (230V) per fan _____ 2.6
 FLA (460V) per fan _____ 1.3
 FLA (575V) per fan _____ 1.0
 Number of Power Connectors _____ 1

CONDENSER CAPACITY PER CIRCUIT (LB 410A) ONE CIRCUIT PER CONDENSER

Min Ambient > 45°F (Summer) _____ 8.2
 ADDITIONAL 410A @ Min Ambient (20° F) _____ 13.8
 ADDITIONAL 410A @ Min Ambient (0° F) _____ 17.5
 ADDITIONAL 410A @ Min Ambient (-20° F) _____ 20.2

REFRIGERANT PIPING CONNECTIONS

INLET A & B _____ 1-1/8"
 OUTLET A & B _____ 7/8"
 Net Weight (lbs) _____ 450



ASRC-15

Matching Chiller Model # _____ ASR30X5
 Compressor Horsepower _____ 15
 Number of Modules _____ 1

TOTAL HEAT OF REJECTION (MBH)

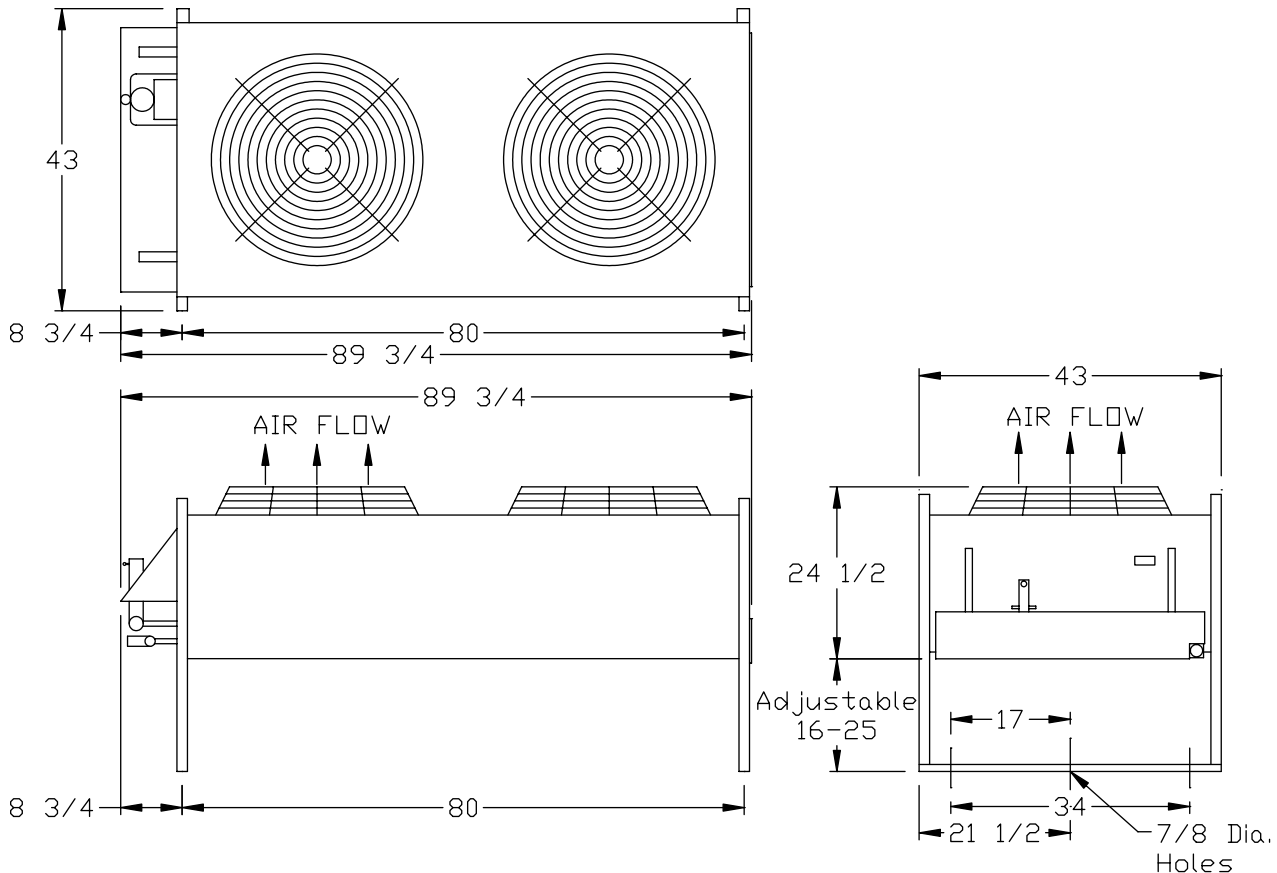
@ 30 DEG TD (ARI Conditions) _____ 239.5
 @ 25 DEG TD (ARI Conditions) _____ 199.5
 @ 20 DEG TD (ARI Conditions) _____ 160
 Number of Circuits _____ 1
 Number of Fans _____ 2
 Fan Dia (In.) _____ 26
 Fan Speed (rpm) _____ 1140
 Total Air Flow (cfm) _____ 12900
 Unit Sound Data (dBA @ 10ft.) _____ 68.6
 Motor Size (hp) _____ 1/3
 Motor Electrical (phase) _____ 3
 FLA (208V) per fan _____ 2.6
 FLA (230V) per fan _____ 2.6
 FLA (460V) per fan _____ 1.3
 FLA (575V) per fan _____ 1.0
 Number of Power Connectors _____ 1

CONDENSER CAPACITY PER CIRCUIT (LB 410A) ONE CIRCUIT PER CONDENSER

Min Ambient > 45°F (Summer) _____ 13.9
 ADDITIONAL 410A @ Min Ambient (20° F) _____ 24
 ADDITIONAL 410A @ Min Ambient (0° F) _____ 30.5
 ADDITIONAL 410A @ Min Ambient (-20° F) _____ 35.2

REFRIGERANT PIPING CONNECTIONS

INLET A & B _____ 1-3/8"
 OUTLET A & B _____ 1-1/8"
 Net Weight (lbs) _____ 530



ASRC-20

Matching Chiller Model # _____ **ASR20X4**
Compressor Horsepower _____ **20**
Number of Modules _____ **1**

CONDENSER CAPACITY PER CIRCUIT (LB 410A) TWO CIRCUITS PER CONDENSER

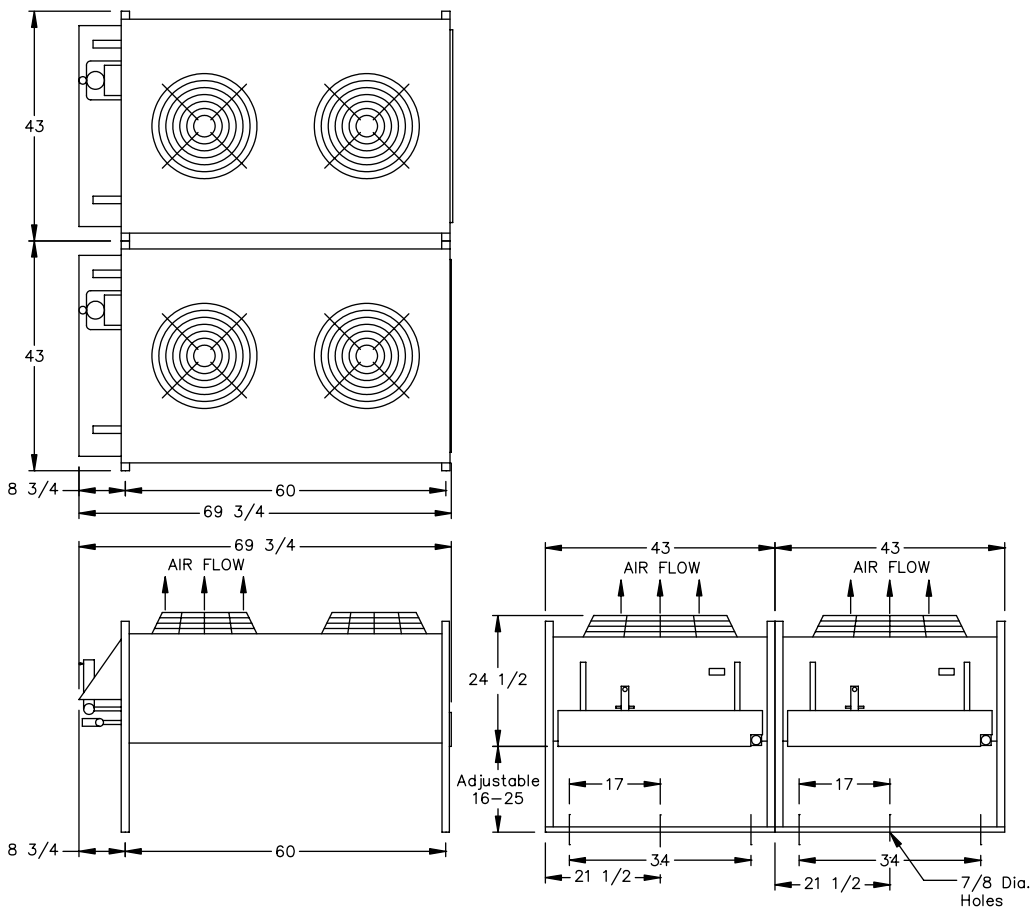
Min Ambient > 45°F (Summer) _____ 8.2
 ADDITIONAL 410A @ Min Ambient (20°F) _____ 13.8
 ADDITIONAL 410A @ Min Ambient (0°F) _____ 17.5
 ADDITIONAL 410A @ Min Ambient (-20°F) _____ 20.2

TOTAL HEAT OF REJECTION (MBH)

@ 30 DEG TD (ARI Conditions) _____ 292
 @ 25 DEG TD (ARI Conditions) _____ 243
 @ 20 DEG TD (ARI Conditions) _____ 195
 Number of Circuits _____ 2
 Number of Fans _____ 4
 Fan Dia (In.) _____ 24
 Fan Speed (rpm) _____ 1140
 Total Air Flow (cfm) _____ 20200
 Unit Sound Data (dBA @ 10 ft.) _____ 65.6
 Motor Size (hp) _____ 1/3
 Motor Electrical (phase) _____ 3
 FLA (208V) per fan _____ 2.6
 FLA (230V) per fan _____ 2.6
 FLA (460V) per fan _____ 1.3
 FLA (575V) per fan _____ 1.0
 Number of Power Connectors _____ 2

REFRIGERANT PIPING CONNECTIONS

INLET A & B _____ 1-1/8"
 OUTLET A & B _____ 7/8"
 Net Weight (lbs) _____ 900



ASRC-25

Matching Chiller Model # _____ ASR50X4
 Compressor Horsepower _____ 25
 Number of Modules _____ 1/2

TOTAL HEAT OF REJECTION (MBH)

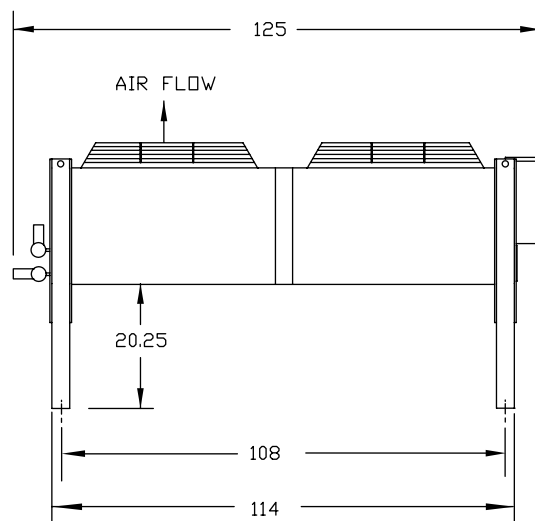
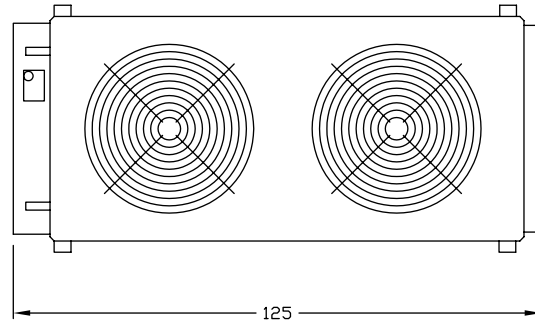
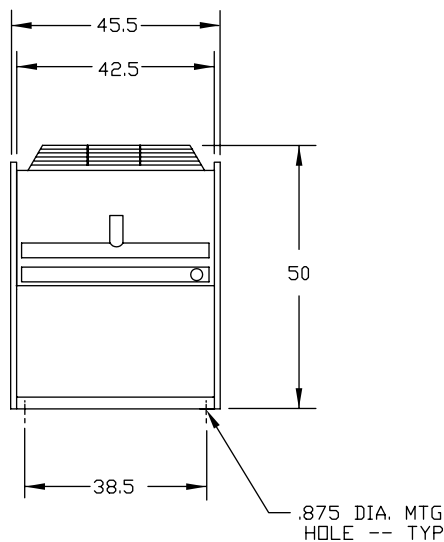
@ 30 DEG TD (ARI Conditions) _____ 435
 @ 25 DEG TD (ARI Conditions) _____ 363
 @ 20 DEG TD (ARI Conditions) _____ 290
 Number of Circuits _____ 1
 Number of Fans _____ 2
 Fan Dia (In.) _____ 30
 Fan Speed (rpm) _____ 1140
 Total Air Flow (cfm) _____ 19800
 Unit Sound Data (dBA @ 10 ft.) _____ 75.3
 Motor Size (hp) _____ 1.5
 Motor Electrical (phase) _____ 3
 FLA (208V) per fan _____ 7.0
 FLA (230V) per fan _____ 67.0
 FLA (460V) per fan _____ 3.5
 FLA (575V) per fan _____ 2.8
 Number of Power Connectors _____ 1

CONDENSER CAPACITY PER CIRCUIT (LB 410A) ONE CONDENSER PER CIRCUIT

Min Ambient > 45°F (Summer) _____ 17.3
 ADDITIONAL 410A @ Min Ambient (20° F) _____ 24.4
 ADDITIONAL 410A @ Min Ambient (0° F) _____ 27.5
 ADDITIONAL 410A @ Min Ambient (-20° F) _____ 30.5

REFRIGERANT PIPING CONNECTIONS

INLET A & B _____ 1-5/8"
 OUTLET A & B _____ 1-5/8"
 Net Weight (lbs) _____ 630



ASRC-30

Matching Chiller Model # _____ **ASR30X5**
Compressor Horsepower _____ **30**
Number of Modules _____ **1**

TOTAL HEAT OF REJECTION (MBH)

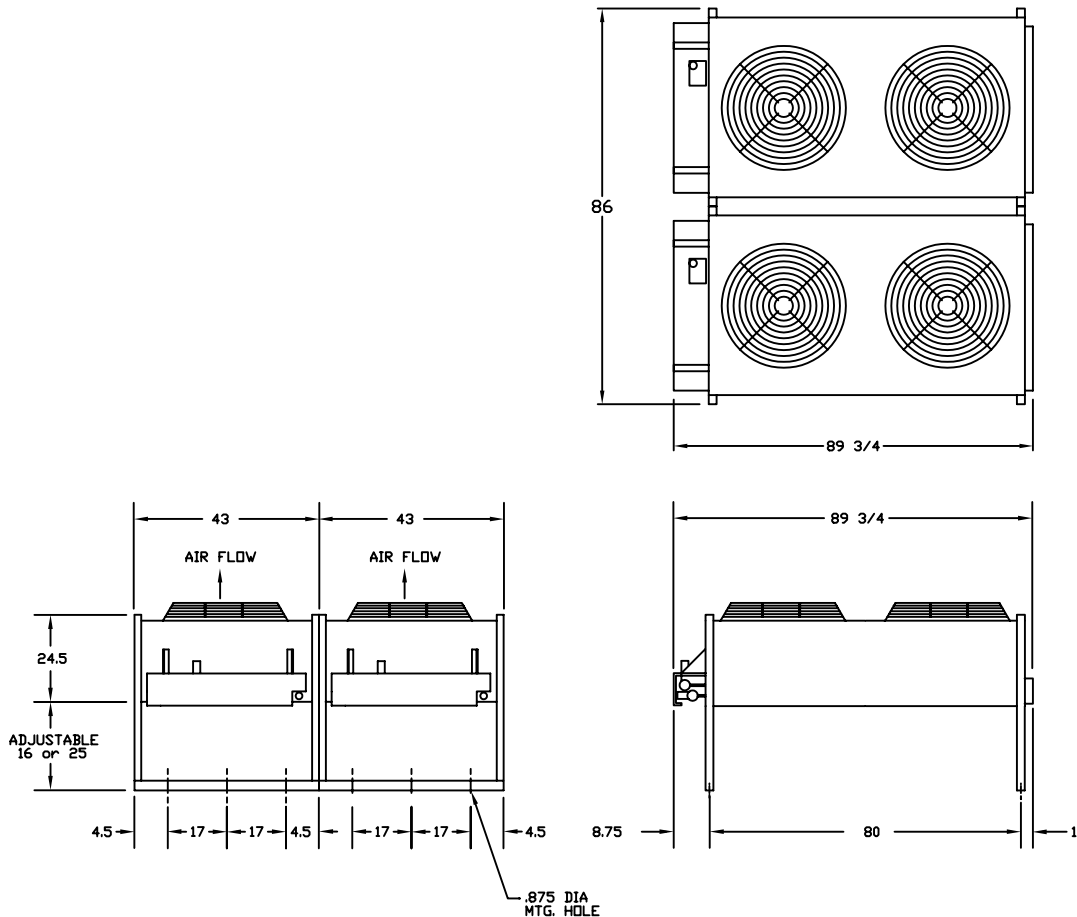
@ 30 DEG TD (ARI Conditions) _____ 479
 @ 25 DEG TD (ARI Conditions) _____ 399
 @ 20 DEG TD (ARI Conditions) _____ 320
 Number of Circuits _____ 2
 Number of Fans _____ 4
 Fan Dia (In.) _____ 26
 Fan Speed (rpm) _____ 1140
 Total Air Flow (cfm) _____ 25800
 Unit Sound Data (dBA @ 10 ft.) _____ 70.6
 Motor Size (hp) _____ 1/3
 Motor Electrical (phase) _____ 3
 FLA (208V) per fan _____ 2.6
 FLA (230V) per fan _____ 2.6
 FLA (460V) per fan _____ 1.3
 FLA (575V) per fan _____ 1.0
 Number of Power Connectors _____ 2

CONDENSER CAPACITY PER CIRCUIT (LB 410A) TWO CIRCUITS PER CONDENSER

Min Ambient > 45°F (Summer) _____ 13.9
 ADDITIONAL 410A @ Min Ambient (20° F) _____ 24
 ADDITIONAL 410A @ Min Ambient (0° F) _____ 30.5
 ADDITIONAL 410A @ Min Ambient (-20° F) _____ 35.2

REFRIGERANT PIPING CONNECTIONS

INLET A & B _____ 1-3/8"
 OUTLET A & B _____ 1-1/8"
 Net Weight (lbs) _____ 1060



ASRC-50

Matching Chiller Model # _____ ASR50x6
 Compressor Horsepower _____ 50
 Number of Modules _____ 1

TOTAL HEAT OF REJECTION (MBH)

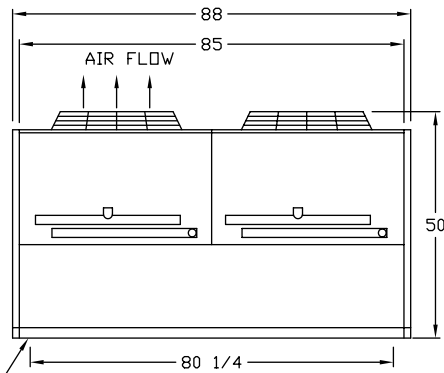
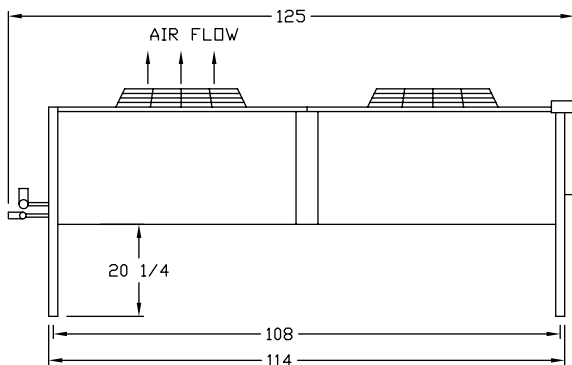
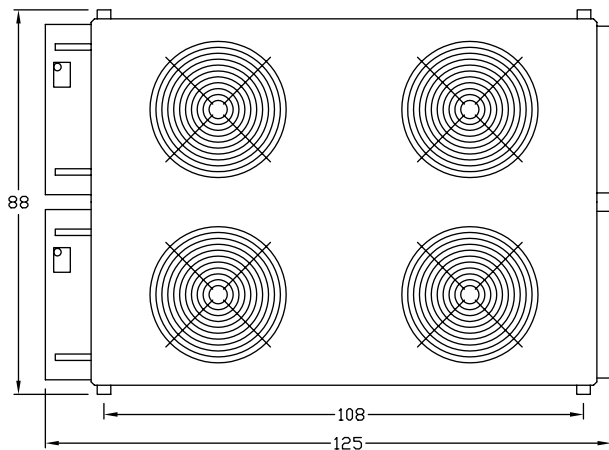
@ 30 DEG TD (ARI Conditions) _____ 873
 @ 25 DEG TD (ARI Conditions) _____ 728
 @ 20 DEG TD (ARI Conditions) _____ 582
 Number of Circuits _____ 2
 Number of Fans _____ 4
 Fan Dia (In.) _____ 30
 Fan Speed (rpm) _____ 1140
 Total Air Flow (cfm) _____ 39600
 Unit Sound Data (dBA @ 10 ft.) _____ 78.3
 Motor Size (hp) _____ 1-1/2
 Motor Electrical (phase) _____ 3
 FLA (208V) per fan _____ 7.0
 FLA (230V) per fan _____ 7.0
 FLA (460V) per fan _____ 3.5
 FLA (575V) per fan _____ 2.8
 Number of Power Connectors _____ 1

CONDENSER CAPACITY PER CIRCUIT (LB 410A) TWO CIRCUITS PER CONDENSER

Min Ambient > 45°F (Summer) _____ 15.75
 ADDITIONAL 410A @ Min Ambient (20° F) _____ 23.4
 ADDITIONAL 410A @ Min Ambient (0° F) _____ 26.95
 ADDITIONAL 410A @ Min Ambient (-20° F) _____ 29.5

REFRIGERANT PIPING CONNECTIONS

INLET A & B _____ 1-5/8"
 OUTLET A & B _____ 1-5/8"
 Net Weight (lbs) _____ 1340



ASRC-70

Matching Chiller Model # _____ ASR70X1
 Compressor Horsepower _____ 70
 Number of Modules _____ 1

TOTAL HEAT OF REJECTION (MBH)

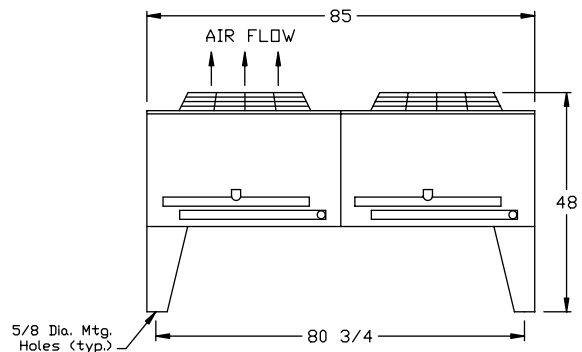
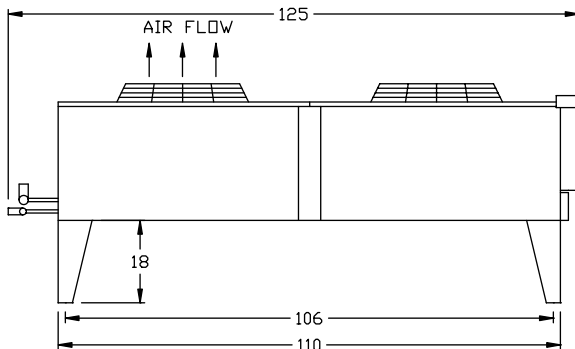
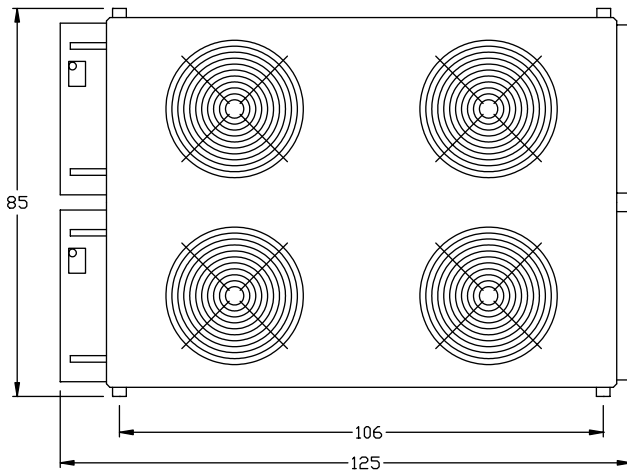
@ 30 DEG TD (ARI Conditions) _____ 1026
 @ 25 DEG TD (ARI Conditions) _____ 855
 @ 20 DEG TD (ARI Conditions) _____ 684
 Number of Circuits _____ 2
 Number of Fans _____ 4
 Fan Dia (In.) _____ 30
 Fan Speed (rpm) _____ 1140
 Total Air Flow (cfm) _____ 38100
 Unit Sound Data (dBA @ 10ft.) _____ 78.3
 Motor Size (hp) _____ 1-1/2
 Motor Electrical (phase) _____ 3
 FLA (208V) per fan _____ 7.0
 FLA (230V) per fan _____ 7.0
 FLA (460V) per fan _____ 3.5
 FLA (575V) per fan _____ 2.8
 Number of Power Connectors _____ 1

CONDENSER CAPACITY PER CIRCUIT (LB 410A) TWO CIRCUITS PER CONDENSER

Min Ambient > 45°F (Summer) _____ 22.9
 ADDITIONAL 410A @ Min Ambient (20° F) _____ 31.55
 ADDITIONAL 410A @ Min Ambient (0° F) _____ 36.65
 ADDITIONAL 410A @ Min Ambient (-20° F) _____ 39.7

REFRIGERANT PIPING CONNECTIONS

INLET A & B _____ 2-1/8"
 OUTLET A & B _____ 2-1/8"
 Net Weight (lbs) _____ 1440



ASRC-90

Matching Chiller Model # _____ ASR90R1
 Compressor Horsepower _____ 90
 Number of Modules _____ 1

CONDENSER CAPACITY PER CIRCUIT (LB 410A)

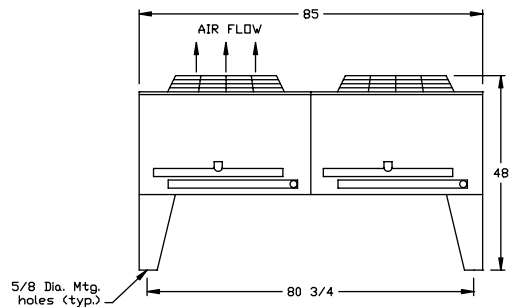
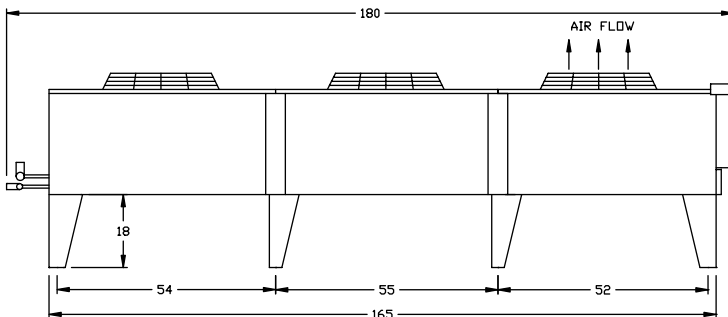
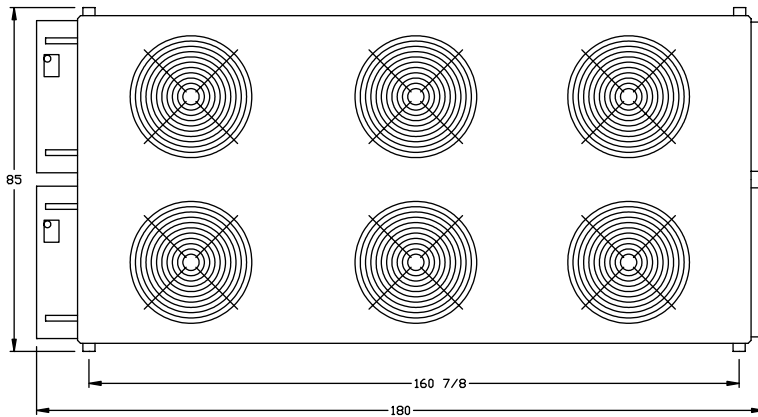
Min Ambient > 45°F (Summer) _____ 38
 ADDITIONAL 410A @ Min Ambient (20° F) _____ 66
 ADDITIONAL 410A @ Min Ambient (0° F) _____ 81
 ADDITIONAL 410A @ Min Ambient (-20° F) _____ 90

TOTAL HEAT OF REJECTION (MBH)

@ 30 DEG TD (ARI Conditions) _____ 1280
 @ 25 DEG TD (ARI Conditions) _____ 1066
 @ 20 DEG TD (ARI Conditions) _____ 853
 Number of Circuits _____ 1
 Number of Fans _____ 6
 Fan Dia (In.) _____ 30
 Fan Speed (rpm) _____ 1140
 Total Air Flow (cfm) _____ 67000
 Motor Size (hp) _____ 1-1/2
 Motor Electrical (phase) _____ 3
 FLA (208V) per fan _____ 7.0
 FLA (230V) per fan _____ 7.0
 FLA (460V) per fan _____ 3.5
 FLA (575V) per fan _____ 2.8

REFRIGERANT PIPING CONNECTIONS

INLET A & B _____ 2-1/8"
 OUTLET A & B _____ 2-1/8"
 Net Weight (lbs) _____ 2500
 Shipping Weight (lbs) _____ 3100





1064 Maple Avenue Sparta, WI • P 608-366-2400 • F608-366-2450

www.multistack.com

F150.0510