

III[®] MULTISTACK[®]

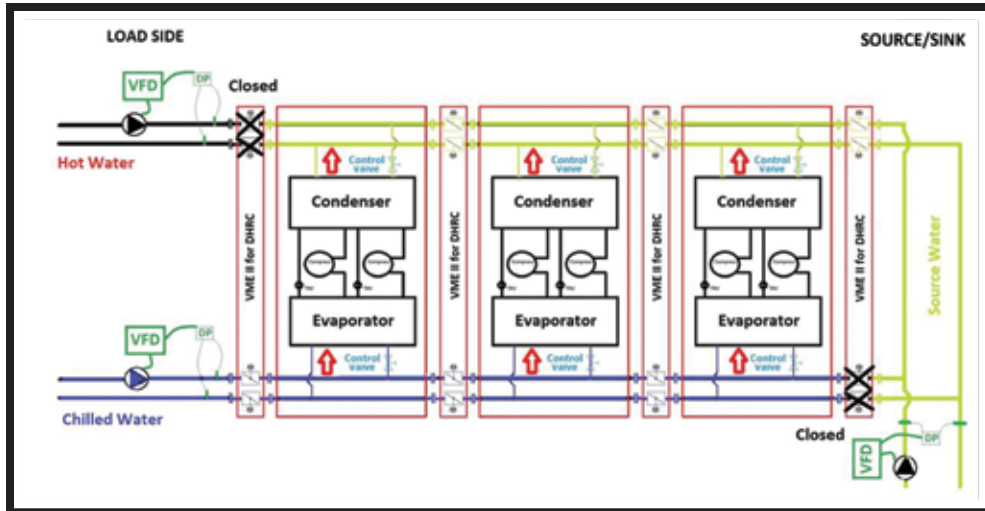
VIRTUAL MOVEABLE END CAP™ II

Patent Pending

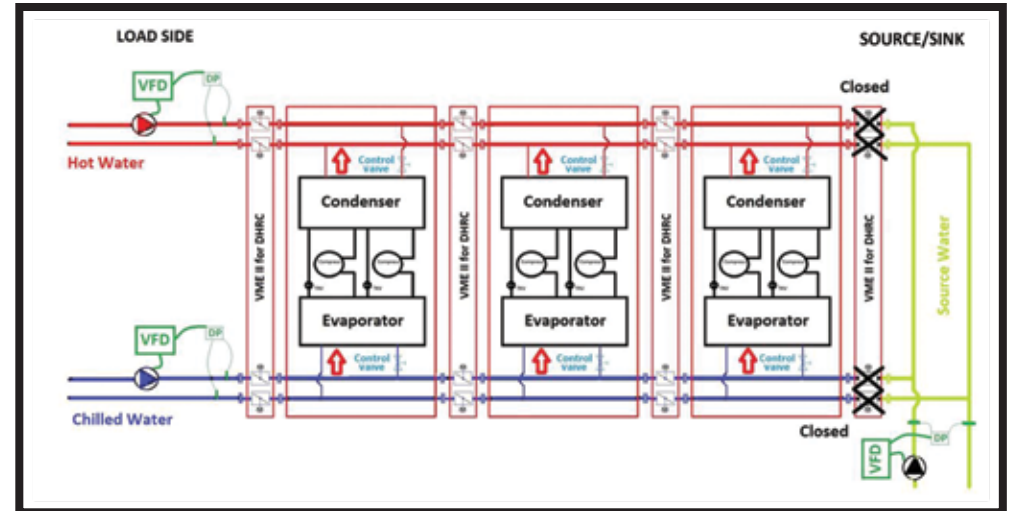


1. SINGLE POINT ELECTRICAL CONNECTION FOR VALVES AND CONTROLLER
2. VME UNITS FACTORY ASSEMBLED AND WIRED
3. DISCONNECTING CIRCUIT BREAKER FOR EACH MODULE STANDARD
4. MODULATING VALVE FOR BUILT-IN HEAD CONTROL AND PRECISION WATER TEMPERATURES
5. NO REVERSING VALVES
6. VME VALVES NOT REQUIRED BETWEEN CONSTANT SIMULTANEOUS LOAD MODULES
7. COMPRESSOR RUN TIME EQUALIZATION
8. BUILT IN HEAT RECOVERY FOR SIMULTANEOUS EFFICIENCY
9. SINGLE REFRIGERATION LIFT FOR 30% MORE EFFICIENCY

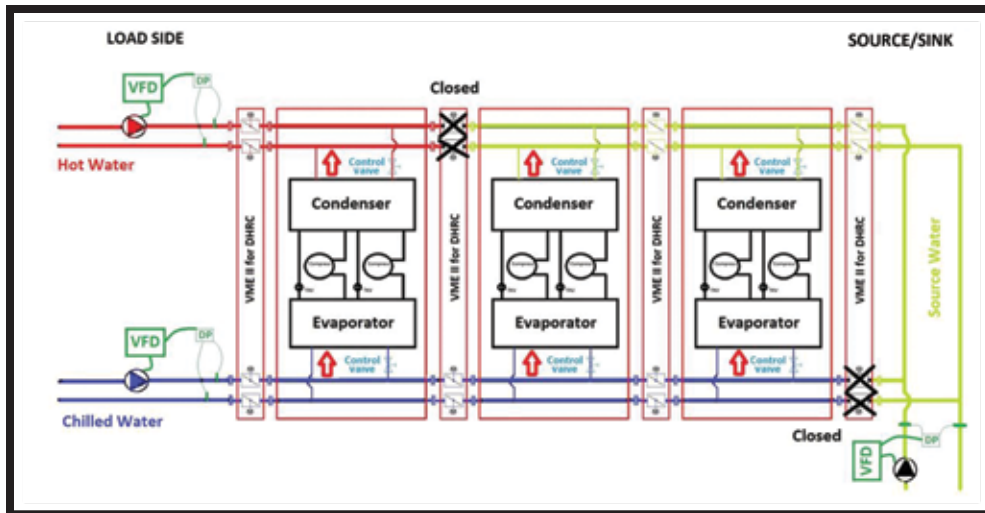
MULTISTACK[®] VME™ II Diagrams



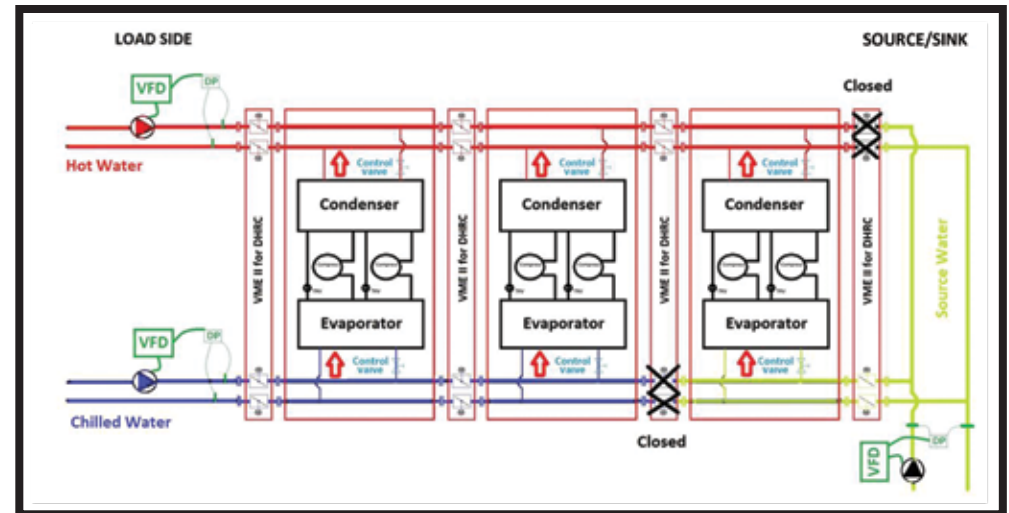
3-Cooling
0-Heating
3-Source/Sink
0-Simultaneous Load



3-Cooling
3-Heating
0-Source/Sink
3-Simultaneous Load



3-Cooling
1-Heating
2-Source/Sink
1-Simultaneous Load



2-Cooling
3-Heating
1-Source/Sink
2-Simultaneous Load